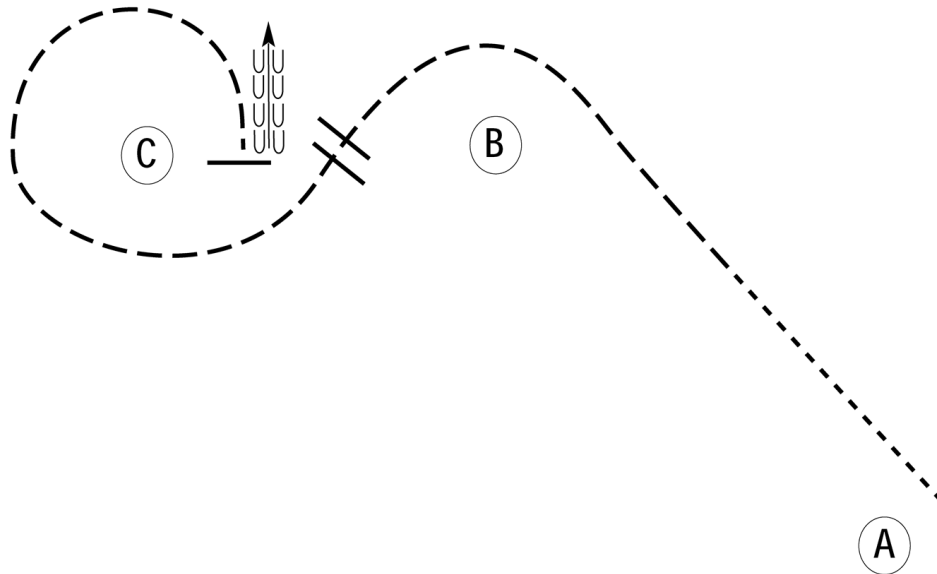


# High desert Pinto Octoberfest

## English Equitation (All Walk Trot)

Show Date: 10-26-2014



Be ready at A.

1. Walk halfway to B.
2. Sitting trot to B.
3. Posting trot on the right diagonal from B, halfway to C.
4. Change diagonals halfway to C.
5. Posting trot on the left diagonal to and around C.
6. Stop at C.
7. Back approximately one horse length.

Walk	-----
Trot	- - - - -
Extended Trot	- - - - -
Canter	—————
Leg Yield	
Lead Change	↘ ↙
Back	← ← ← ← ←
Marker	(B)
Sidepass	← - - - - →
Hand Gallop	—————

[HSE/WT-12]

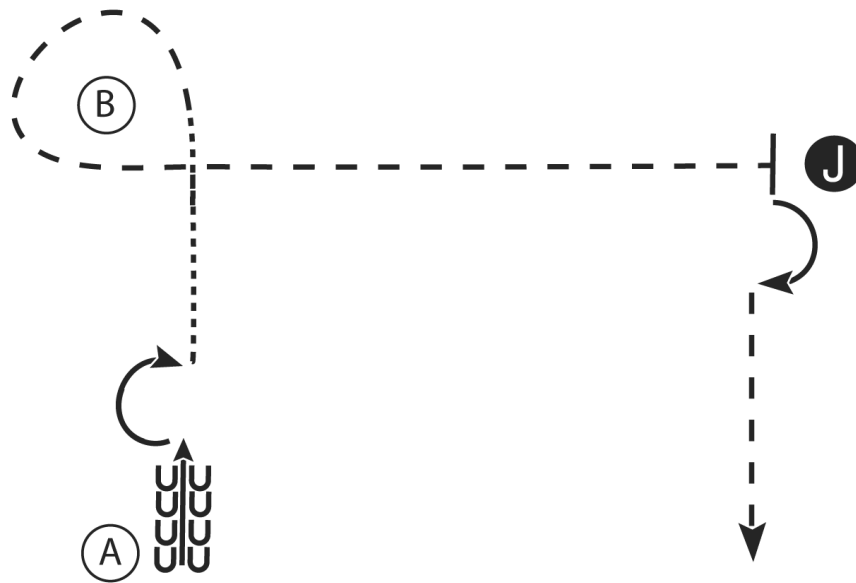
Pattern Provided by:

*HDPtHA*

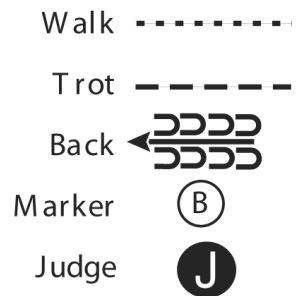
# High desert Pinto Octoberfest

## Pinto English Showmanship (Youth/Amateur)

Show Date: 10-26-2014



1. At A back 4 steps
2. Perform a 180 degree turn
3. Walk to B
4. At B trot around B and to the judge, set up for inspection
5. When dismissed perform a 90 degree turn and trot straight away from the judge



[S/2-1]

Pattern Provided by:

*HDPtHA*

w w w . H o r s e S h o w P a t t e r n s . c o m

w w w . H o r s e S h o w P a t t e r n s . c o m

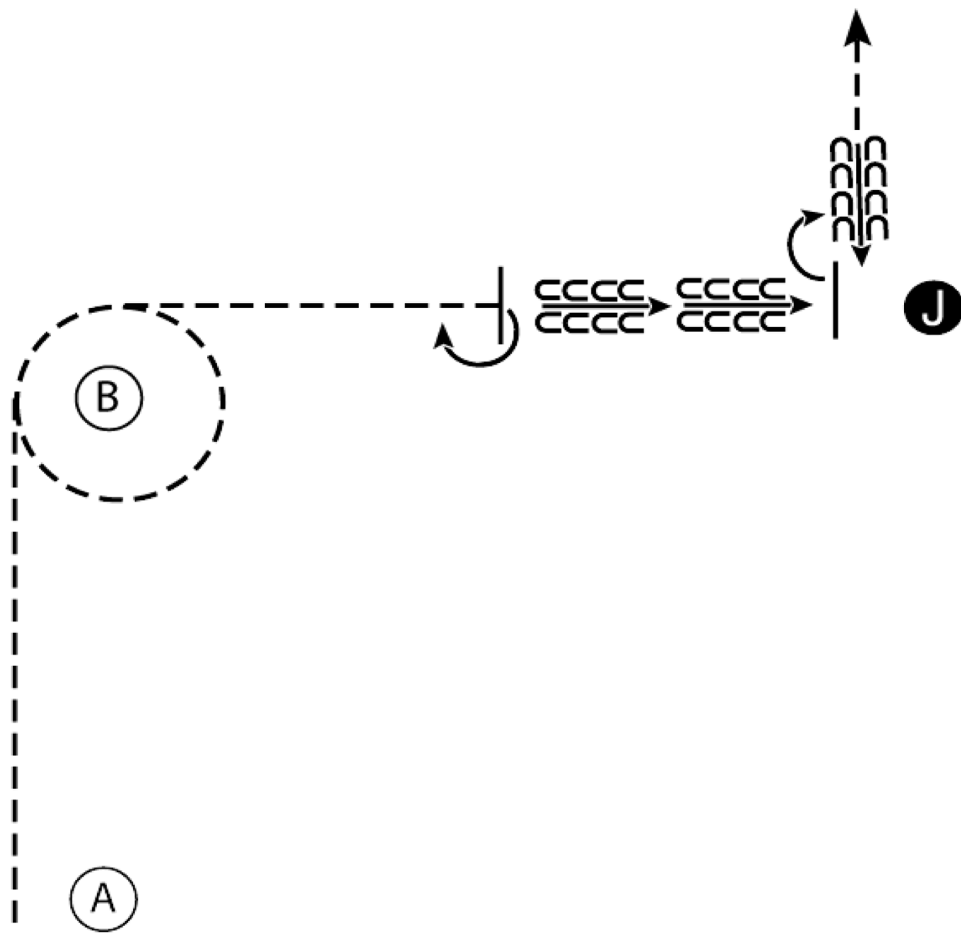
# High desert Pinto Octoberfest

## Showmanship (Open & Pinto)

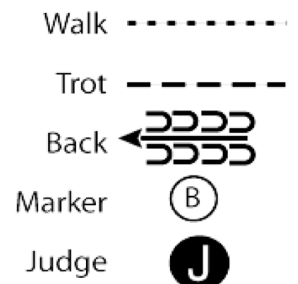
Show Date: 10-26-2014

w w w . H o r s e S h o w P a t t e r n s . c o m

w w w . H o r s e S h o w P a t t e r n s . c o m



1. Trot from A to B.
2. Trot a circle around B.
3. Trot half way to the Judge. Stop and perform a 180 degree turn.
4. Back to the Judge and set up for inspection.
5. When dismissed perform a 90 degree turn.
6. Back four steps and trot straight away from the Judge.



[S/3-15]

Pattern Provided by:

*HDPtHA*

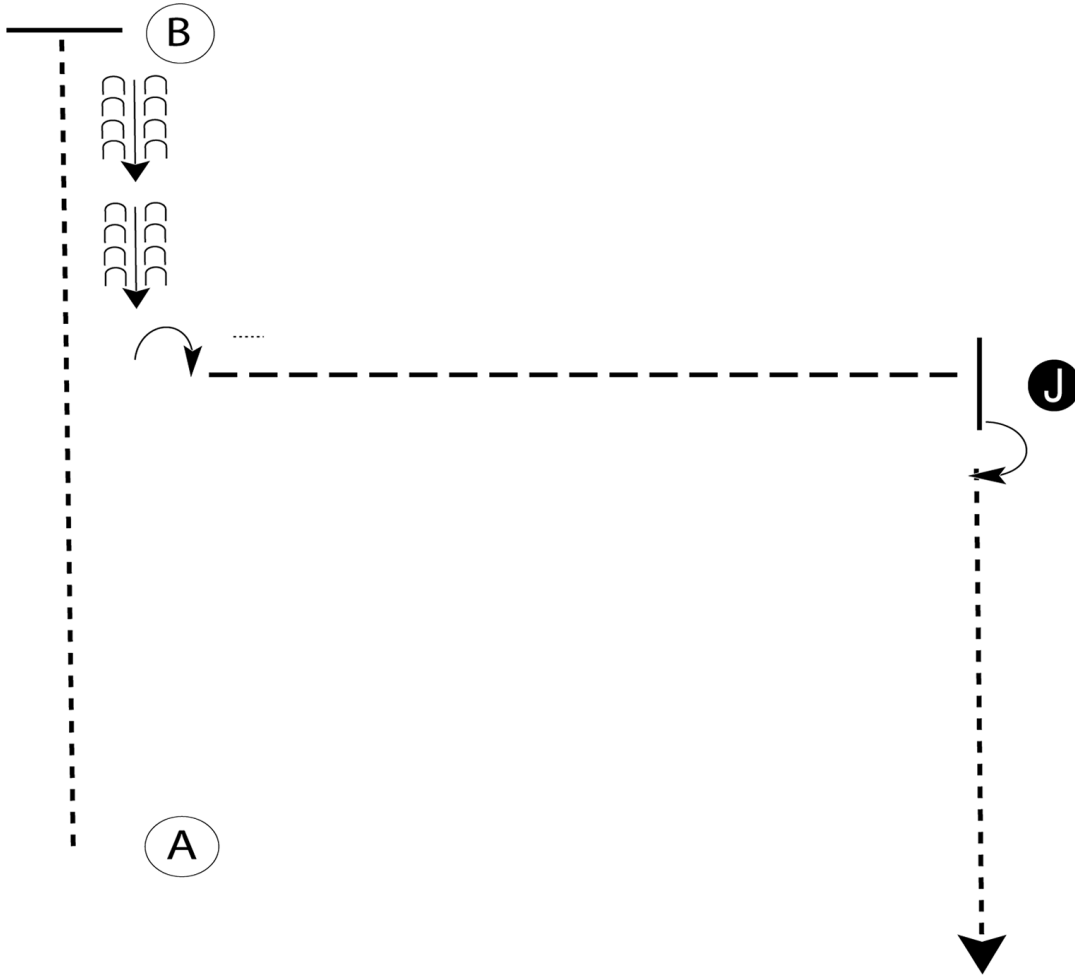
# High desert Pinto Octoberfest

## Open Showmanship (Green)

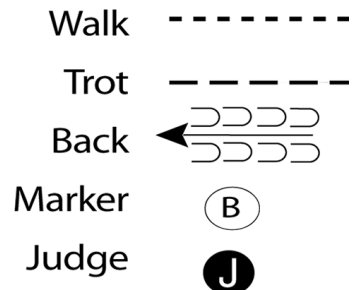
Show Date: 10-26-2014

w w w . H o r s e S h o w P a t t e r n s . c o m

w w w . H o r s e S h o w P a t t e r n s . c o m



1. Begin at A. Walk to B and stop.
2. Back until even with judge.
3. Perform a 90 degree turn. Trot to judge.
4. Stop, set up, inspection.
5. When dismissed, perform a 90 degree turn.
6. Walk to the line up or follow the directions of the ring steward.



[S/WT-4]

Pattern Provided by:

*HDPtHA*

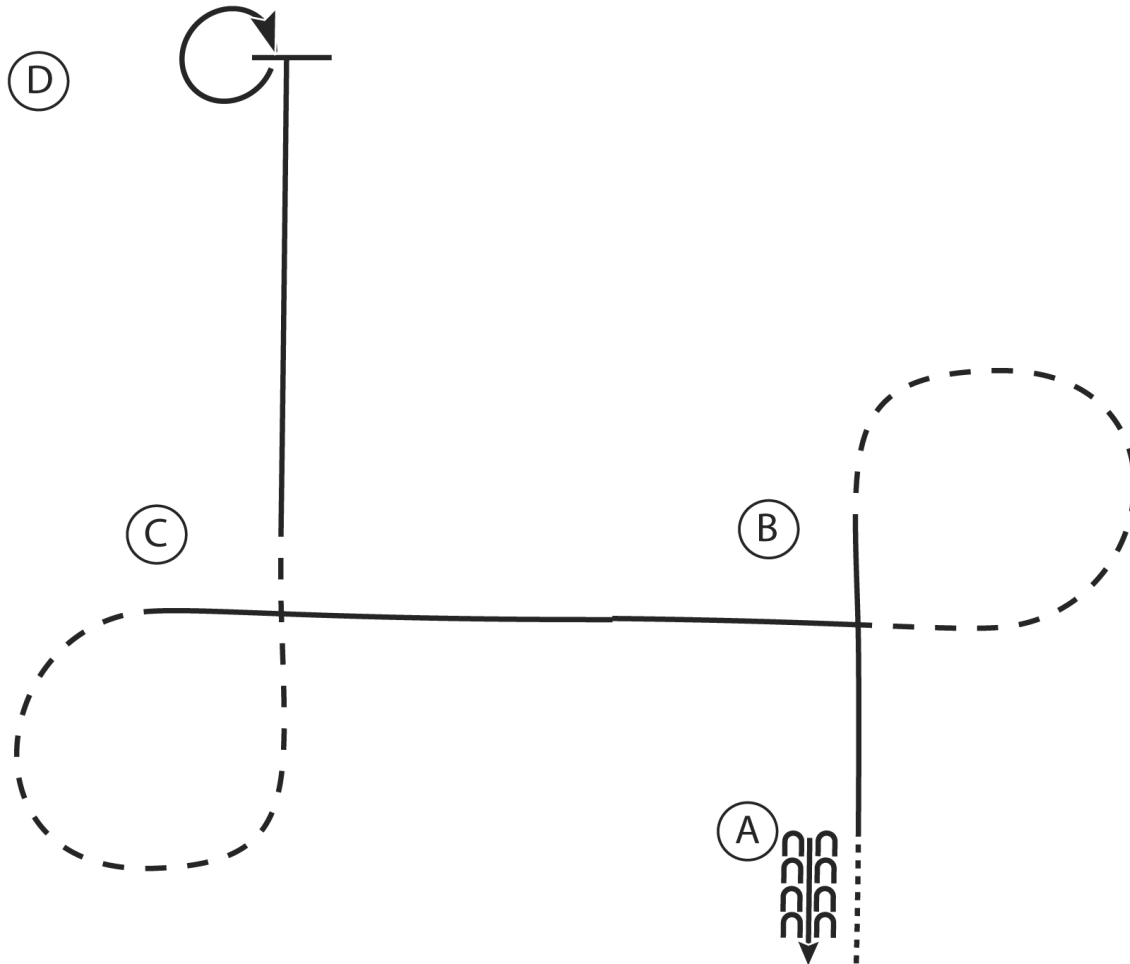
# High desert Pinto Octoberfest

## English Equitation (Open & Pinto)

Show Date: 10-26-2014

www.HorseShowPatterns.com

www.HorseShowPatterns.com



1. At A back 4 steps
2. Walk to A
3. Canter on the left lead A to B
4. At B posting trot circle to the right on the left diagonal
5. At B canter on the right lead to C
6. At C posting trot circle to the left on the right diagonal
7. At C extended canter to D on the right lead
8. Stop at D and perform a 360 degree turn to the right on the hindquarter

Walk	.....
Trot	-----
Extended Trot	-----
Canter	—————
Leg Yield	
Lead Change	↘
Back	←←← CCCC
Marker	(B)
Sidepass	←-----→

[HSE/3-2]

Pattern Provided by:

*HDPtHA*

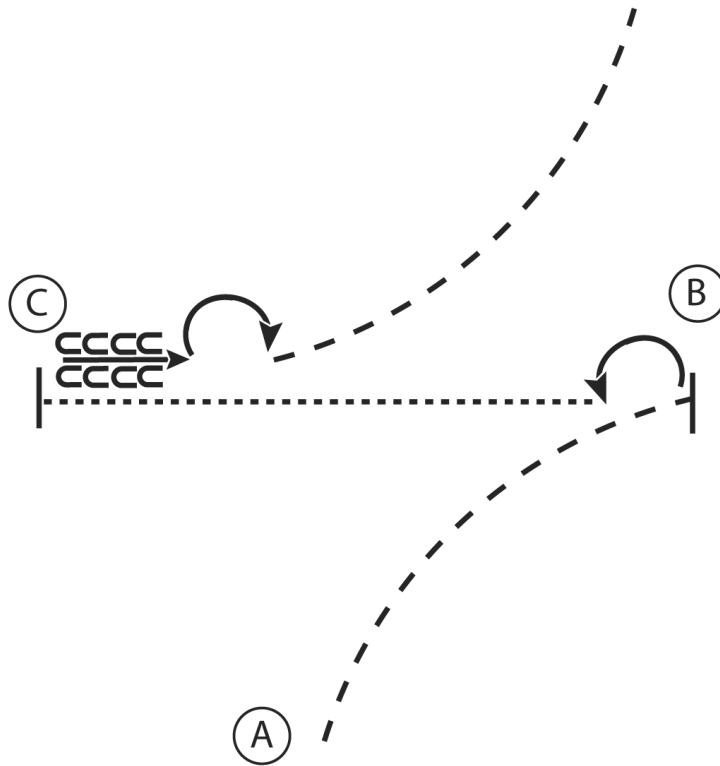
# High desert Pinto Octoberfest

## Walk Trot Horsemanship (All Open & Pinto)

Show Date: 10-26-2014

w w w . H o r s e S h o w P a t t e r n s . c o m

w w w . H o r s e S h o w P a t t e r n s . c o m



1. Jog a quarter circle from A to B
2. Stop at B and perform a 180 degree turn to the left on the hindquarters
3. Walk to C
4. At C stop and back 4 steps
5. Perform a 180 degree turn to the right
6. Jog a quarter circle to exit

Walk	.....
Jog	-----
Extended Jog	-----
Lope	—————
Leg Yield	
Lead Change	↙
Back	←←←← →→→→
Marker	Ⓚ
Sidepass	←←←←

[WH/WT-13]

Pattern Provided by:

*HDPtHA*

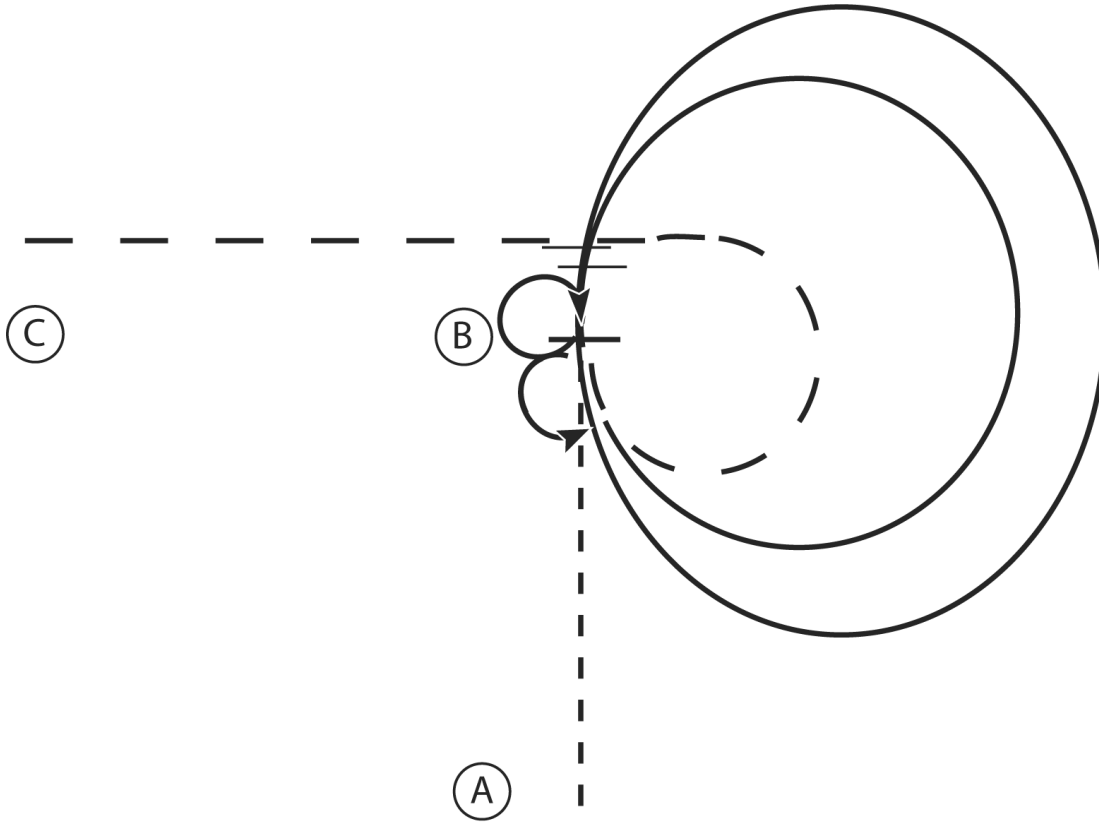
# High desert Pinto Octoberfest

## Horsemanship (Open & Pinto)

Show Date: 10-26-2014

w w w . H o r s e S h o w P a t t e r n s . c o m

w w w . H o r s e S h o w P a t t e r n s . c o m



1. Jog A to B
2. Stop at B and perform a 180 degree turn to the left
3. Lope a small slow circle to the left on the right lead
4. At B perform a lead change and lope a larger faster circle to the left
5. Stop at B and perform a 360 degree turn to the right
6. Extend the jog in a circle and then continue on the C
7. Stop at C

Walk	.....
Jog	-----
Extended Jog	-----
Lope	—————
Leg Yield	
Lead Change	↘
Back	←←←←←
Marker	(B)
Sidepass	←-----→

[WH/3-12]

Pattern Provided by:

*HDPtHA*